



FBL4000 Series

FBL4000 Single Lane Flap Barrier Turnstile

FBL4011 Single Lane Flap Barrier Turnstile
(w/ controller and RFID reader)

FBL4022 Single Lane Flap Barrier Turnstile
(w/ controller and fingerprint & RFID reader)

The ZKTeco FBL4000 single lane flap barrier turnstile is an elegant cost-effective entrance control system designed for high-traffic volume.

The FBL4000 is a single lane flap barrier turnstile series designed for smooth and silent operation and draws very little power. It's made of stainless steel which makes FBL4000 highly durable.

FBL4000 barriers are normally held in a locked position, thus denying access to the secured side. Upon FBL4000's reader (RFID and/or fingerprint) positively recognizing a user's valid access card or fingerprint, its barriers retract upward automatically, thus allowing users passage to the secured side.

During emergencies the barriers automatically retract upward, thereby avoid users being trapped. A battery for power outage safety can be installed for retracting the barrier automatically.

FBL4000 provides both security and convenient space, all in a very durable and elegant compact design.

Features

Reliability

SUS304 stainless steel casework ensure long-lasting durability.

High quality electrical components.

Safety Features

Barriers retract automatically during emergencies.

Barriers retract automatically during power outage with battery installed.

All smooth finishing. No exposed screws.

Ergonomic design makes card and fingerprint authentication fast & simple for users.

Built-in Reader Integration

- FBL4000 series is already integrated with our customers' preference for either card or fingerprint access control reader. This greatly reduces installation time & expense. FBL4000 series and associated access control readers are all factory-tested prior to shipping.
- ZKTeco provides true plug&play turnstiles with the lowest possible total cost of ownership in the industry.

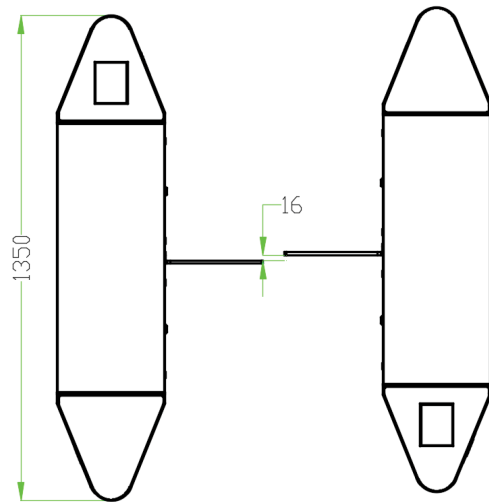
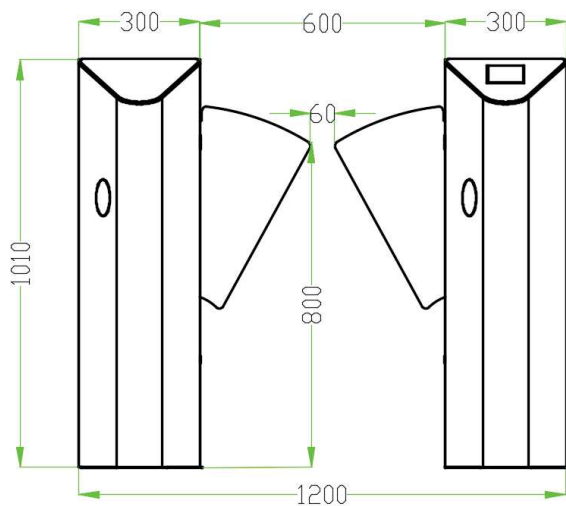
Simplification

LCD on the flap barrier control board, easy operation.

Specifications

Power requirements	AC 120 ~ 100V/240 ~ 200V, 60/50Hz	
Working temperature	28-°C~60°C	
Working humidity	%5~%80	
Working environment	Indoor/outdoor (if sheltered)	
Speed of throughput	RFID	Maximum 42/ minute
	Fingerprint	Maximum 35/ minute
	Face	Maximum 11/ minute
	Vein	Maximum 23/ minute
Lane width(mm)	600	
Footprint(mm*mm)	1200*1350	
Dimensions(mm)	L=1350,W=300,H=1010	
Dimension with packing(mm)	L=1500,W=840,H=1100	
Net weight(kg)	142	
Weight with packing(kg)	211	
LED indicator	Y	
Cabinet material	SUS304 Stainless Steel	
Lid material	SUS304 Stainless Steel	
Barrier material	Acrylic	
Barrier movement	Retracting	
Emergency mode	Y	
Security level	Medium	
MCBF	2 million	

Dimensions (mm)



More details

ZKTECO CO.,LTD.
www.zkteco.com
 E-mail: sales@zkteco.com

© Copyright 2016. ZKTECO CO., LTD.ZKTECO Logo is a registered trademark of ZKTeco or a related company. All other product and company names mentioned are used for identification purposes only and may be the trademarks of their respective owners. All specifications are subject to change without notice. All rights reserved.

