

F22

Ultra thin fingerprint time attendance and access control terminal



F22 is an ultra-thin fingerprint time attendance and access control terminal with BiO/D sensor and Wi-Fi, which offers unparalleled performance with advanced algorithm for reliability, precision and excellent matching speed. F22 features the fastest commercial-based fingerprint matching algorithm and ZK high-performance, high-image quality infrared detection fingerprint sensor.

F22 provides a superior touching experience with touch keypad, and offers flexibility for standalone installation or with any third-party access control panel that supports standard wiegand signal. TCP/IP, RS485 and Wi-Fi are also available that the device can be used in different networks.

Features

- -2.4inch TFT color screen and Touch keys
- Ultra thin and elegant design
- Full Access Control Features: Anti-passback, access control interface for 3rd party electric lock, door sensor, exit button, alarm
- Standard Wi-Fi
- Network interface by TCP/IP or RS485
- Built-in auxiliary input with enhanced flexibility to link with wired detector or emergency switch
- Multiple Verification Modes: Multi-verification methods (card is optional) providing user various choices

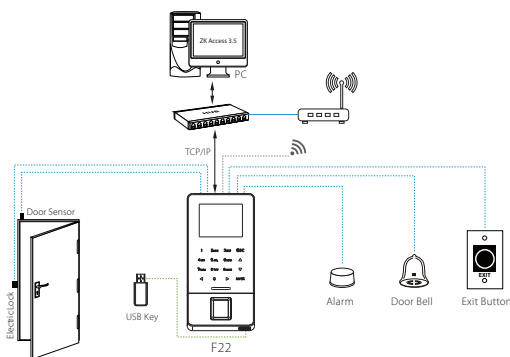
Specifications

Display	-2.4inch TFT LCD Color Screen
Fingerprint Capacity	3000
Card Capacity	5000(Optional) ID or mifare card
Transaction Capacity	30,000
Sensor	BioID Sensor/ SilkID Sensor (optional)
Algorithm Version	ZKFinger VX10.0
Communication	RS485/232, TCP/IP, USB-host,Wi-Fi
Access Control Interface	3rd Party Electric Lock, Door Sensor, Exit Button, Alarm
Wiegand Signal	Input, Output
Aux. Input	1ea for linkage function
Functions	DST, Automatic Status Switch, Record query, T9 input, 14 digit user ID, Anti-passback, Scheduled-Bell, Printer(Optional),ADMS(Optional)
Power Supply	12V DC,3A
Operating Temperature	0 °C- 45 °C
Operating Humidity	%80-%20
Dimension(LxWxH)	158.5x78.0x19.4mm
SDK and software	Standalone SDK,ZKAccess3.5 software

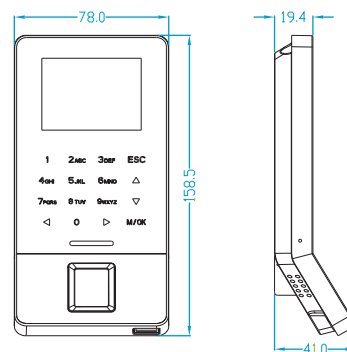
Optional Accessories



Configuration



Dimensions (mm)



ZKTECO CO.,LTD.
www.zkteco.com
E-mail: sales@zkteco.com

© Copyright 2016. ZKTECO CO.,LTD. ZKTeco Logo is a registered trademark of ZKTeco or a related company. All other product and company names mentioned are used for identification purposes only and may be the trademarks of their respective owners. All specifications are subject to change without notice. All rights reserved.

